



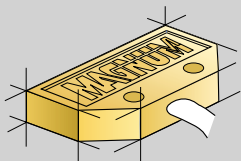
Low Power Control Monitor for use in Division 2, Nonincendive Hazardous Areas

Quantum® Nonincendive

Quantum units meeting Class I, Groups A, B, C, & D, and Class II, Groups F & G, Division 2 non-incendive requirements are available in engineered resin or aluminum enclosures. Provided with two high current, hermetically sealed Magnum® proximity sensors and a wide range of integrated Falcon™ solenoid valves in both three-way and four-way configurations, the Quantum® carries Factory Mutual and Canadian Standards Association certifications. Falcon solenoid valves are available in a variety of coil voltages and body materials with stainless steel internals as standard. Cv. values range from .3 to 3.5.



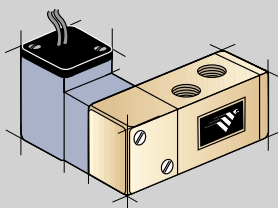
Standard Sensor Options



MAGNUM® Proximity Sensors

High Current Proximity Sensor, SPDT Form C
UL, CSA (Hermetically Sealed)

AMPS	SPDT	
	VAC	VDC
3	120	
1.5	240	
2		24



COIL POWER SUPPLY

	COILS			
	24 VDC	120 VAC	125 VDC	220 VAC
Operating Voltage	24 VDC	120 VAC	125 VDC	220 VAC
Wattage	0.5 Watts	4 Watts	0.85 Watts	4 Watts
Operating Current	20 mA	29.5 mA	6.76 mA	19 mA
Coil Resistance	1200 Ohms	610 Ohms	18500 Ohms	2200 Ohms

Quantum® Nonincendive

AREA CLASSIFICATIONS

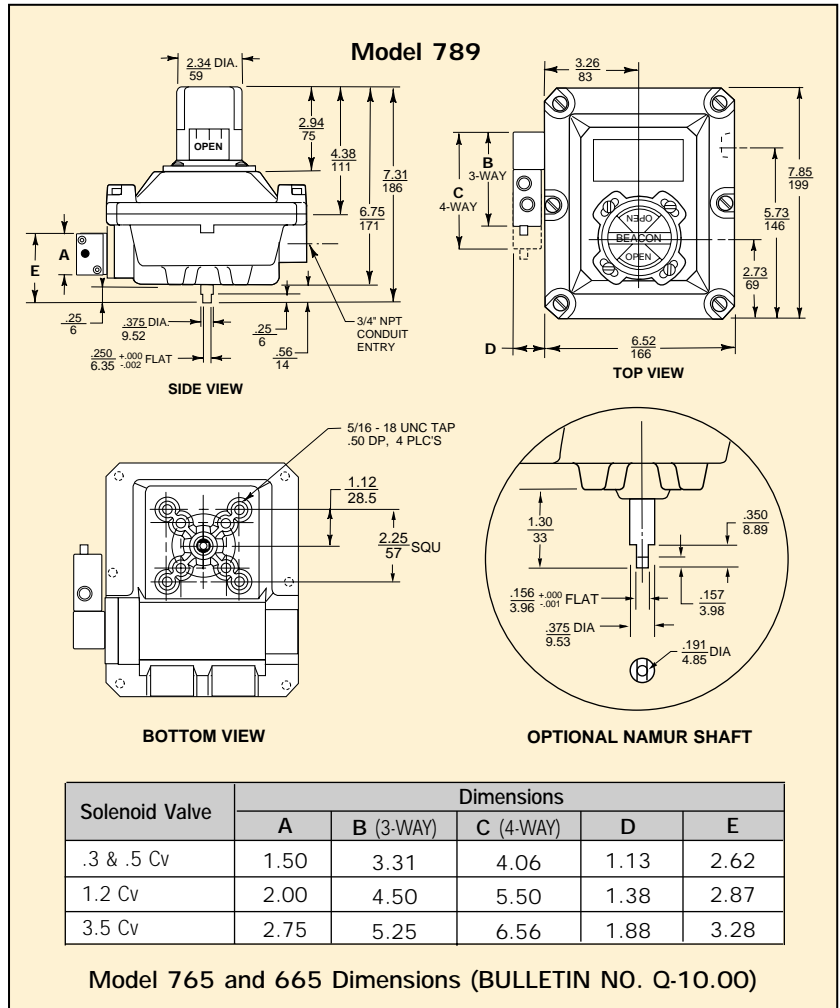
NEMA 4, 4x, Nonincendive
Class I, Division 2, Groups A, B, C, D
Class II, Division 2, Groups F, G

ORDERING GUIDE (FALCON® SOLENOID)

COILS	CV	Body	3-Way	4-Way
FSO 24 VDC 0.5 watts	.3 Cv	Brass	2100	2500
		Alum.	3100	3500
		303 S.S.	4100	4500
		316 S.S.	5100	5500
FAO 120 VAC 4.0 watts	.5 Cv	Delrin	6100	6500
		Brass	2200	2600
FVO 125 VDC 0.85 watts	.5 Cv	Alum.	3200	3600
		303 SS	4200	4600
		316 S.S.	5200	5600
		Delrin	6200	6600
FHO 220 VAC 4.0 watts	1.2 Cv	Brass	2300	2700
		Alum.	3300	3700
		303 S.S.	4300	4700
		316 S.S.	5300	5700
	3.5 Cv	Alum.	3400	3800
		Delrin	6400	6800

OPTIONAL FEATURES (See BULLETIN NO. Q-18.00)

DIMENSIONS (inches/mm)



Note: Minimum operating pressure: 45 psi.

ORDERING GUIDE

QUANTUM™ LP	BEACON™	3-WAY BEACON™	SENSOR	SOLENOID (Falcon®)
765 Engineered Resin 	STANDARD (Black & Yellow) BY 	90° Rotation B1 	Magnum (SPDT) M6	Use above listing for ordering solenoid
	ANSI YELLOW (Inherently Hazardous) AY 	90° Rotation B3 	Magnum (SPST) M7	
665 Engineered Resin w/ Latch Cover 	ANSI GREEN (Liquid-Low Hazard) AG 	90° Rotation B5 		
	ANSI BLUE (Gas-Low Hazard) AB 	180° Rotation B7 		
789 Aluminum 	ANSI RED (Fire Quenching) AR 	180° Rotation B9 		

NOTE: Model 765 & 665 Max. 3 Switches, Model 789 Max. 4 Switches

Ordering Example: Quantum LP Nonincendive, resin enclosure with standard black & yellow Beacon, 2 Magnum Sensors and Falcon 24 VDC/0.5 watts, .5 Cv, brass, 3-Way solenoid valve. 765-BY-M6-FSO-2200

Westlock reserves the right to change product designs and specifications without notice, and is not responsible for errors and omissions.