

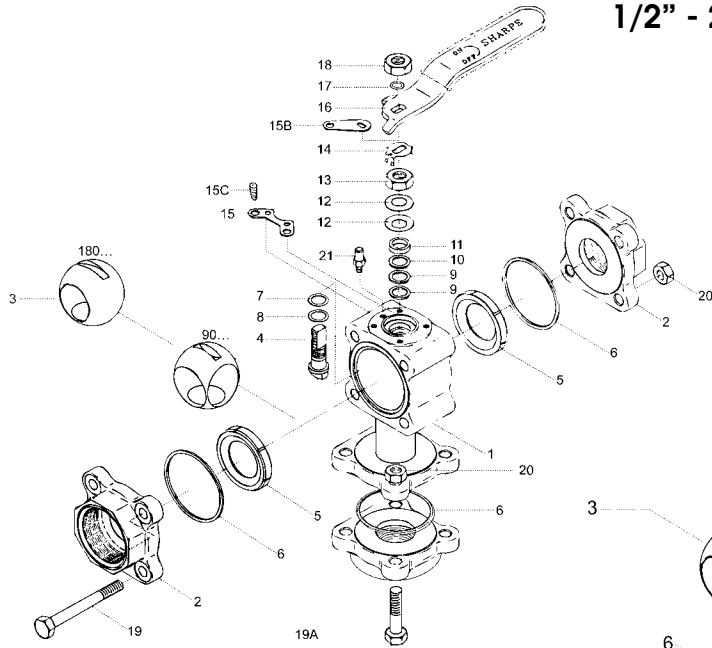
SHARPE[®] VALVES



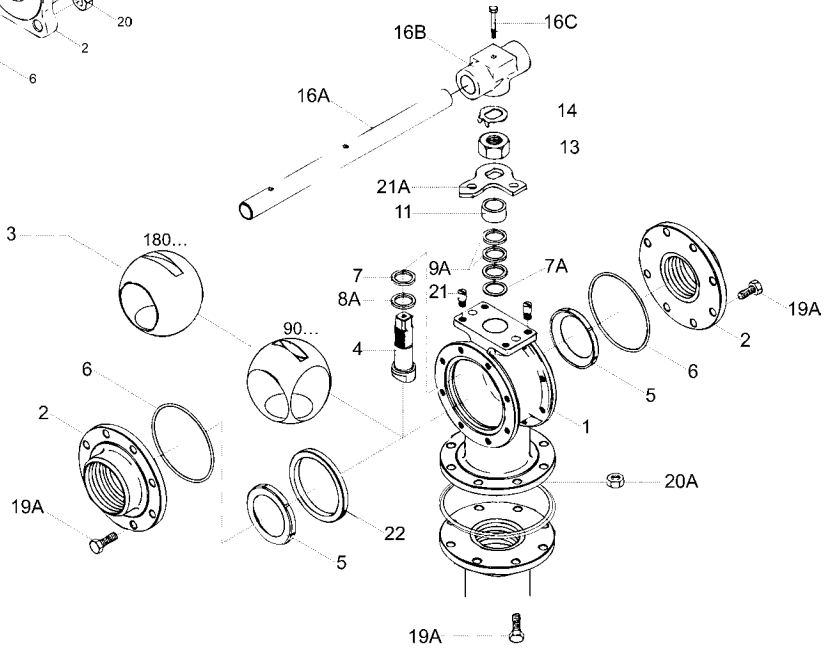
**SERIES D84
DIVERTER BALL VALVES**

SERIES D84 VALVE PARTS AND IDENTIFICATION

1/2" - 2-1/2"



3" - 4"



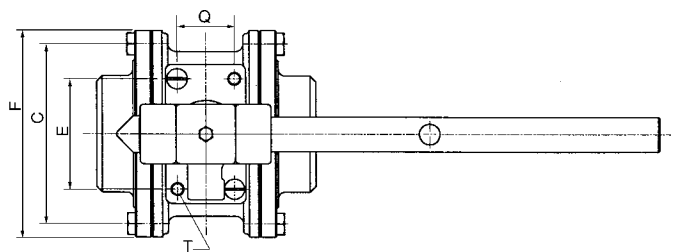
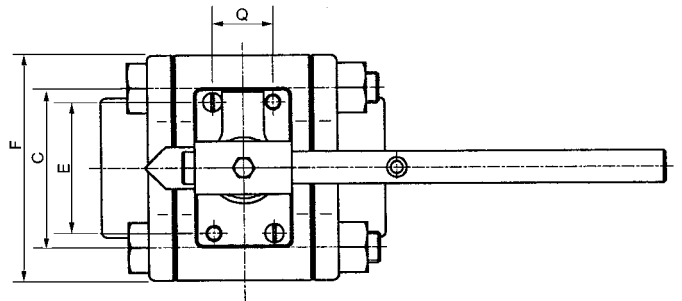
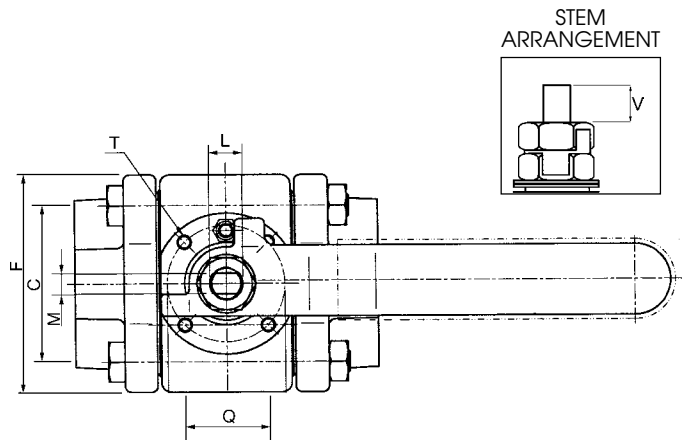
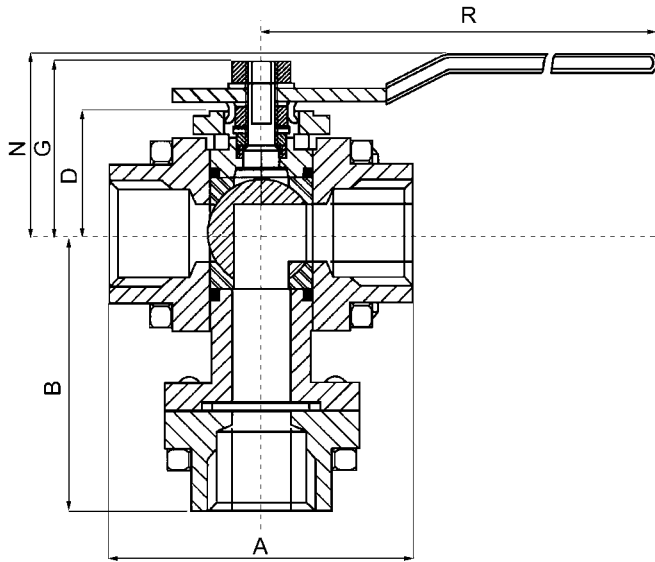
PART NO.	PART	QTY.	MATERIAL
1	Body	1	316 Stainless Steel Alloy 20 Carbon Steel
2	Pipe Ends	3	316L Stainless Steel Alloy 20 Carbon Steel
3	Ball	1	316 Stainless Steel Monel
4	Stem	1	316 Stainless Steel Monel
5	Valve Seat	2	TFE Nova* UHMWPE
6	Body Seal	3	TFE Graphoil Buna
7	Thrust Bearing	1	Nova* (UHMWPE with UHMWPE Seats)
7A	Stem Location Ring (3" & 4")	1	Stainless Steel
8	Thrust Bearing	1	Peek (UHMWPE with UHMWPE Seats)
8A	Thrust Bearing	1	Nova* (UHMWPE with UHMWPE Seats)
9	Stem Packing	2	Nova* (UHMWPE with UHMWPE Seats)
9A	Stem Packing (3" & 4")	3	Nova* (UHMWPE with UHMWPE Seats)
10	Seal Protector	1	Peek
11	Gland Packing	1	Stainless Steel
12	Belleville Washer	2	Stainless Steel

PART NO.	PART	QTY.	MATERIAL
13	Packing Nut	1	Stainless Steel
14	Lock Tab	1	Stainless Steel
15	Lower Lock Latch	1	Stainless Steel
15B	Upper Lock Latch Bolt	1	Stainless Steel
15C	Latch Bolt	1	Stainless Steel
16	Handle (1/4"-2")	1	Stainless Steel
16A	Wrench (3" & 4")	1	Cad Plate Carbon Steel
16B	Wrench Block	1	Stainless Steel
16C	Hex Head Bolt	1	Stainless Steel
17	Lock Washer	1	Stainless Steel
18	Handle Nut (1/4"-2")	1	Stainless Steel
19	Body Bolts	8	Stainless Steel
19A	Body Connector Nut	16	Stainless Steel
20	Nuts	8	Stainless Steel
20A	Nuts	16	Stainless Steel
21	Stop Pin (1/4"-1/2")	1	Stainless Steel
21A	Stopper	1	Stainless Steel
22	Seat Retainer	1	Stainless Steel Carbon Steel

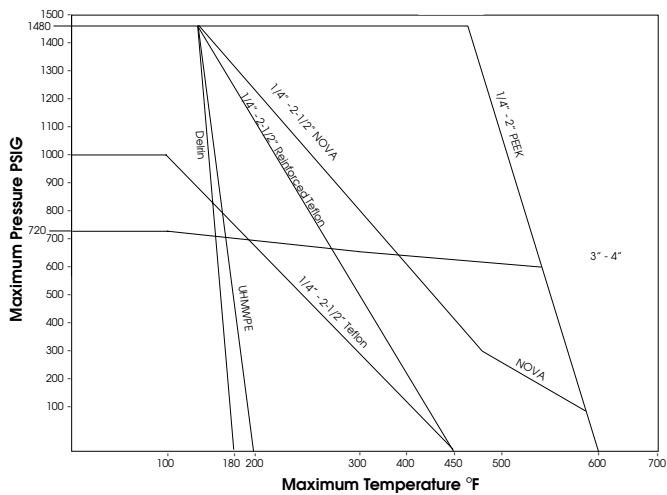
* Nova: Carbon and Graphite Filled Teflon

SERIES D84

VALVE PARTS AND IDENTIFICATION



PRESSURE TEMPERATURE DATA

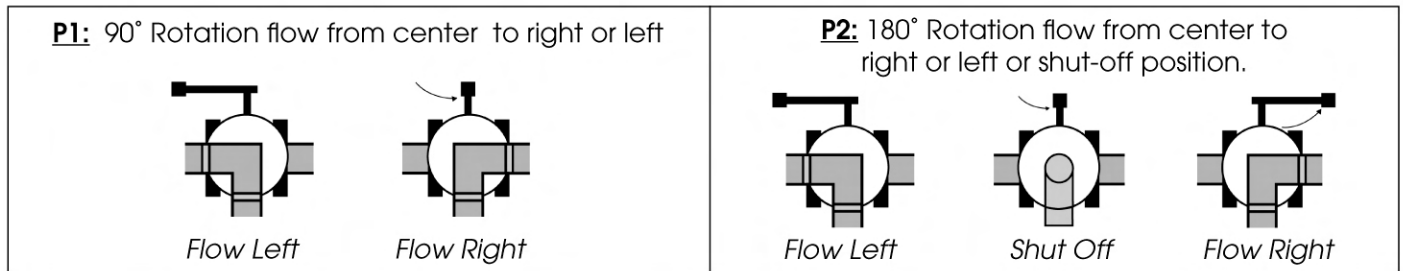


SIZE	A	B	C	D	E	F	G	L	M	N	Q	R	T	V	BOTTOM PORT	CV* US GAL. GPM
1/2"	2.78	2.75	1.50	1.24	1.00	2.05	1.59	3/8" UNF	0.22	1.87	1.00	4.50	M5	0.28	0.47	5
3/4"	2.78	2.75	1.50	1.24	1.00	2.05	1.59	3/8" UNF	0.22	1.87	1.00	4.50	M5	0.28	0.47	5
1"	3.68	3.45	1.75	1.51	1.18	2.42	2.19	7/16" UNF	0.30	2.40	1.18	5.75	M5	0.30	0.63	10
1-1/2"	4.55	4.15	2.25	1.71	1.38	3.16	2.88	9/16" UNF	0.35	3.16	1.38	7.00	M6	0.42	1.05	24
2"	5.00	4.50	2.62	1.87	1.38	3.56	3.06	9/16" UNF	0.35	3.35	1.38	7.00	M6	0.42	1.40	36
2-1/2"	5.86	6.00	3.35	2.92	2.92	4.57	4.56	M20	0.55	5.58	1.25	10.00	M8	0.55	1.84	60
3"	6.66	7.25	5.50	3.87	3.38	6.44	7.25	1.14 UNS	0.745	7.25	1.75	13.80	M10	0.66	2.00	130
4"	8.40	8.60	6.97	4.48	3.38	8.12	7.84	1.14 UNS	0.745	7.84	1.75	22.00	M10	0.66	2.50	240

SHARPE® VALVES

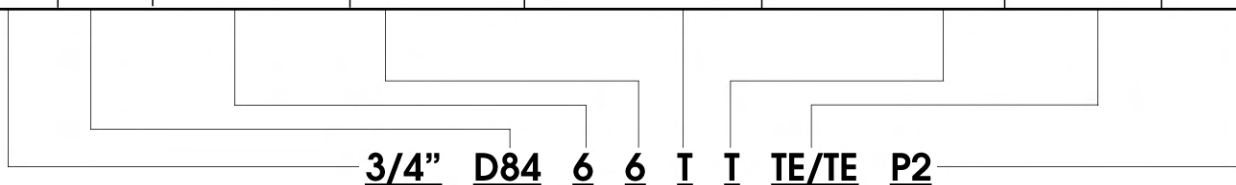
FLOW PATTERN

The Diverter Valve is designed to accept media through the bottom and direct the flow to either of the two outlet ports. Series D84 is available with two different porting configurations.



HOW TO ORDER

VALVE SIZE	VALVE SERIES	BODY & ENDS	BALL & STEM	SEAT	SEAL	ENDS SIDE BOTTOM	BALL CONFIGURATION
1/2" 3/4" 1" 1-1/2" 2" 2-1/2" 3" 4"	D84	4 = Carbon Steel 6 = Stainless Steel 2 = Alloy 20	6 = 316 S. Steel 2 = Alloy 20 4 = Monel 5 = Hastelloy	T = Teflon® R = Reinforced Teflon® N = Nova D = Delrin U = UHMWPE P = Peek	B = Buna N = Neoprene V = Viton T = Teflon® U = UHMWPE G = Graphoil E = Ethylene Propylene Rubber (EPR)	TE TE TEB TEB BW BW SW SW	P1 P2



Teflon® and Viton® are registered trademarks of E.I. DuPont.
Tri Clamp® is a registered trademark of Tri Clover

TE = Threaded Ends (NPT)
TEB = Threaded Ends (BSPT)
BW = Butt Weld
SW = Socket Weld

SHARPE® VALVES

A Division of Smith-Cooper International, LLC

Toll-Free 1-877-7SHARPE

(877) 774-2773

Fax: (708) 562-9250

E-Mail: info@sharpevalves.com

www.sharpevalves.com

1260 Garnet Drive

Northlake, Illinois 60164 U.S.A.