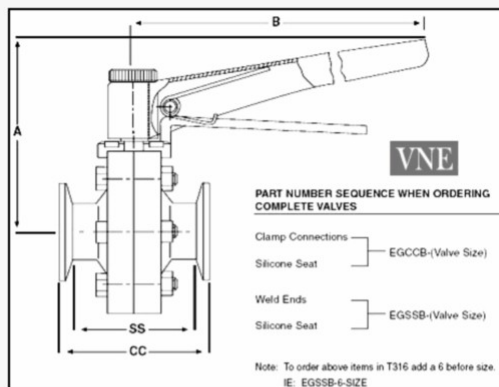


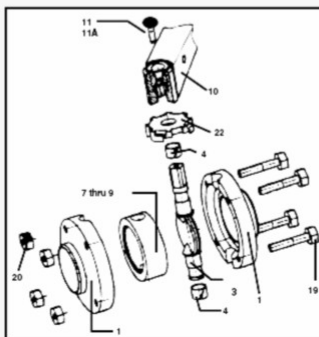
MANUAL BUTTERFLY VALVE INFORMATION

Note: If other Elastomer is required add suffix as follows: (E) EPDM (V) Viton®



DIMENSIONAL CHART

Size	CC	SS	A	B	Number of Bolts
1"	2 13/16"	1 13/16"	4 19/32"	7"	4"
1 1/2"	2 13/16"	1 13/16"	4 23/32"	7"	4"
2"	2 13/16"	1 13/16"	4 15/16"	7"	6"
2 1/2"	3 3/8"	2 3/8"	5 5/32"	7"	6"
3"	3 3/4"	2 3/4"	5 3/8"	7"	6"
4"	4"	2 3/4"	5 15/16"	7"	8"



PARTS LIST		
Item Part	Number	Description
1	*BVP-B-96-1-(size)	Body Half - Weld End
1A	*BVP-B-96-1A-(size)	Body Half - Bevel Seat Thread (not shown)
2	*BVP-B-96-2-(size)	Body Half - Clamp (not shown)
3	*BVP-B-96-3-(size)	Disc
4	BVP-B-96-4-(size)	Teflon Bushing (2 required)
7	BVP-B-96-7-(size)	Seat - Silicone
8	BVP-B-96-8-(size)	Seat - EPDM
9	BVP-B-96-9-(size)	Seat - Viton®
10	BVP-B-96-10	All Stainless Handle
11	BVP-B-96-11	Thumbscrew
**11A	BVP-B-00-11A	Allen Head Handle Seat Screw
15A	BVP-B-96-15A	Mounting Bracket for Actuator on Clamp Type Valve (not shown)
15B	BVP-B-96-15B	Mounting Bracket for Actuator on Flange Type Valve (not shown)
19	BVP-B-96-19	Bolts for Body Half
19L	BVP-B-96-19L	Long Bolts for Mounting Actuator Bracket (not shown)
20	BVP-B-96-20	Nuts for Body Half
20A	BVP-B-96-20A	Wing Nuts for Body Half (not shown)
20AS	BVP-B-96-20AS	Wing Nuts for 3" Body Half Only (not shown)
22	BVP-B-96-22	Handle Seat

*To order above items in T316 stainless steel add a 6 before size.
IE: BVP-B-96-1-6-SIZE
**Any valve purchased between 1996-2000 will require thumbscrew part number BVP-B-96-11, thereafter see part number BVP-B-00-11A.