

Fulflo® 4CSF7 Filter Housings

■ 304 Stainless Steel

Multi-Cartridge Filter Housing Series

Fulflo® 4CSF7 Multi-Cartridge Filter Housings Meet Non-Code Water Applications

Fulflo® 4CSF7 Series of Multi-Cartridge Filter Housings feature low-cost construction similar to ASME design. The cover includes swing bolts with eyenuts and a positive O-ring seal.

The 4CSF7 Housing Series accommodates Fulflo® double-open-ended (DOE) and single-open-ended (SOE) cartridges in 10 in, 20 in, 30 in and 40 in lengths.

Applications

- Chemical
- Photographic Film & Paper
- Metal Treatment
- Process Water
- Synthetic Fibers
- Electronic
- Recording Media
- Coatings, Paint, Ink & Resins
- Petroleum
- Process Gas



Design Features

- Maximum design pressure and temperature is 150 psig (10.3 bar) at 250°F (122°C).
- Cover is secured with four swing bolts for fast, easy opening and closing of cover.
- Inlet and outlet is 2 in NPT.
- Designed with Buna-N O-rings for positive sealing. Alternate O-ring material available.
- Internals without snap-lock guides available in 316 stainless steel.
- Threaded flange assemblies available to convert inlet/outlet from NPT to flanged.

Process Filtration Division

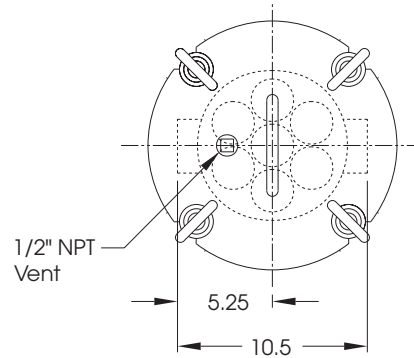


WARNING! FAILURE OR IMPROPER SELECTION OR IMPROPER USE OF THE PRODUCTS AND/OR SYSTEMS DESCRIBED HEREIN OR RELATED ITEMS CAN CAUSE DEATH, PERSONAL INJURY AND PROPERTY DAMAGE.

This document and other information from Parker Hannifin Corporation, its subsidiaries and authorized distributors provide product and/or system options for further investigation by users having technical expertise. It is important that you analyze all aspects of your application and review the information concerning the product or system in the current product catalog. Due to the variety of operating conditions and applications for these products or systems, the user, through its own analysis and testing, is solely responsible for making the final selection for the products and systems and assuring that all performance, safety and warning requirements of the application are met. The products described herein, including without limitation, product features, specifications, designs, availability and pricing, are subject to change by Parker Hannifin Corporation and its subsidiaries at any time without notice.

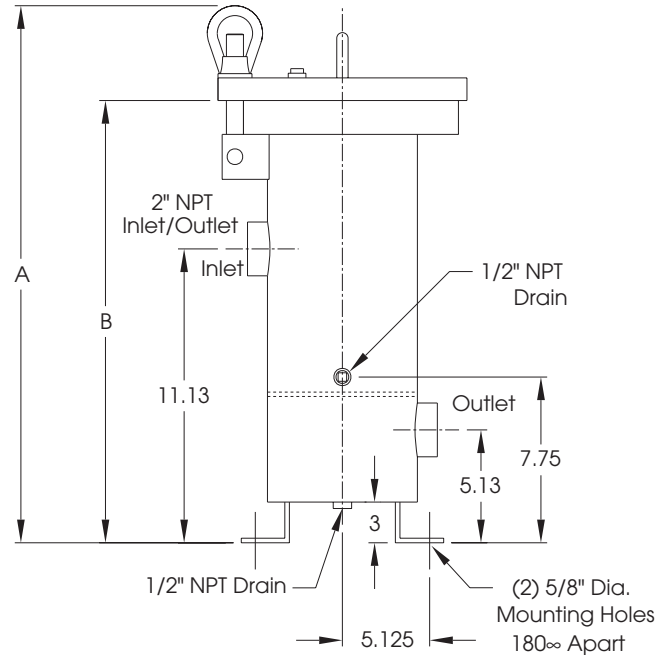


Multi-Cartridge Filter Housing Series



Design Specifications

Model	Typical Aqueous Flow (gpm)	Dimensions (in)		Shipping Weight (lbs)
		A	B	
4CSF7-1-2	35	23-5/16	19-3/8	80
4CSF7-2-2	70	33-3/8	29-7/16	98
4CSF7-3-2	105	43-7/16	39-1/2	116



Ordering Information

4 | **CSF** | **7** | **1** | **2** | **F**
 304 Stainless Steel | Design Series | Number of Columns | Number of 10 in Cartridges per Column | 2 in NPT Inlet/Outlet | Flange Option

Process Filtration Division

Parker Hannifin Corporation
 Process Filtration Division
 P.O. Box 1300
 Lebanon, Indiana 46052
 Telephone (765) 482-3900
 Fax (765) 482-8410
<http://www.parker.com>

