

Fulflo® P Filter Vessels

■ Carbon Steel

Multi-Cartridge Filter Vessel Series

High Efficiency and High Flow Rate With Fulflo® P Vessel Series

Fulflo® P Series Multi-Cartridge Filter Vessels are designed for high flow rate where the contaminants can be effectively removed by pleated paper (surface type) media.

The P Vessel Series is designed for use with the Fulflo® Flo-Pac® 718 and 736 pleated filter cartridge series.

Applications

- Fuels
- Lubricating Oils
- Solvents
- Coolants
- Refineries
- Hydraulic Oils
- Rolling Mill Oils
- Processing Liquids

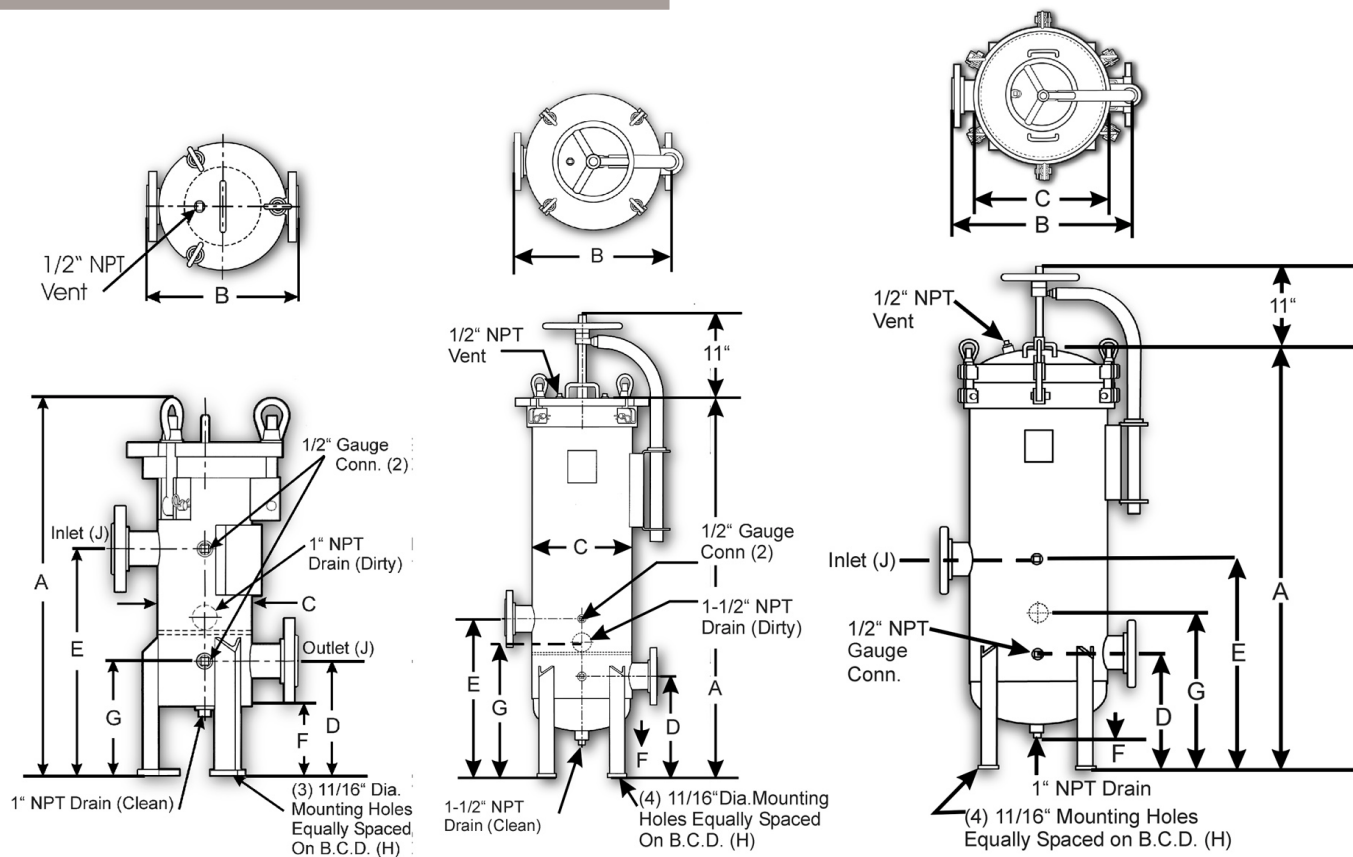


Features and Benefits

- Designed and fabricated in accordance with the ASME Boiler and Pressure Vessel Code, U or UM stamp with 150 psi (10.3 bar) rating at 250°F (121°C).
- Non-code design and construction (parallel to code standards) available.
- Mechanical coverlifts.
- Designed for minimum pressure drop.
- Cartridge capacity from 1 to 36 cartridges.
- All P models feature swing bolts for easier cleaning and servicing.
- O-ring seals provide positive closure sealing.
- Standard Buna-N seal with optional Viton* elastomer, neoprene, ethylene propylene rubber and fluoropolymer elastomer O-rings.
- Optional hydraulic coverlifts.

Process Filtration Division

Multi-Cartridge Filter Vessel Series



Design Specifications

Model	No. & Length of Cartridges (in)	Dimensions (in)		C	D	E	F	G	H	J	Shipping Weight (lbs)
		A†	B								
P1-1-2F	(1) 18	36-1/8	14-7/8	8-5/8OD	8-3/16	16-3/16	5-1/16	11-5/16	7-13/16	2	180
P1-2-2F	(1) 36	54-1/8	14-7/8	8-5/8OD	8-3/16	16-3/16	5-1/16	11 5/16	7-13/16	2	200
P3-1-3F	(3) 18	39-5/16	22-1/2	15-1/16ID	13-3/8	21	6	17-7/8	14-3/4	3	405
P3-2-3F	(3) 36	57-5/16	22-1/2	15-1/16ID	13-3/8	21	6	17-7/8	14-3/4	3	465
P6-2-6F	(6) 36	65	29-1/4	20-1/16ID	16-1/2	31	6	22-9/16	19-3/4	6	790
P9-2-6F	(9) 36	67-3/16	33-3/8	24-1/16ID	18	31	6	24-3/16	23-3/4	6	985
P18-2-8F	(18) 36	76-1/16	42-1/4	32-1/16ID	23-5/8	41-1/4	6	31-11/16	31-13/16	8	1570

† Add 5 in to this dimension for hydraulic coverlift.

Ordering Information

P	3	2	3F	K1
Design Series	Number of Columns	Number of Cartridges per Column	Inlet/Outlet Flange Size RF/ISO	Coverlift Option K1 = Mechanical K2 = Hydraulic
	1			
	3	1		
Non-Code Design = CP	6	2		
	9			
	18			

Process Filtration Division

* A trademark of E. I. du Pont de Nemours & Co.

Parker Hannifin Corporation
 Process Filtration Division
 P.O. Box 1300
 Lebanon, Indiana 46052
 Telephone (765) 482-3900
 Fax (765) 482-8410
<http://www.parker.com>

