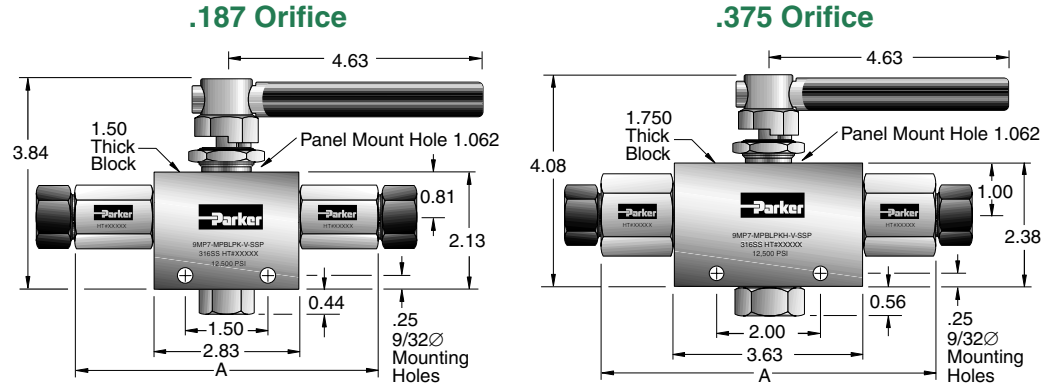


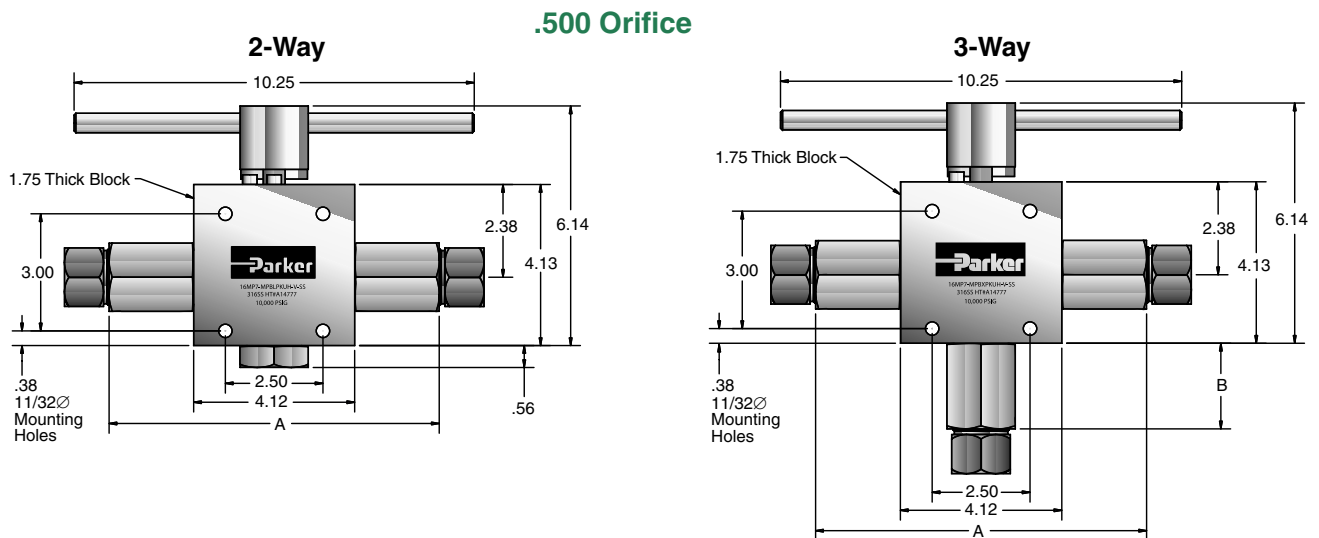
Introduction

Parker MPB series manually, pneumatically and electrically actuated 2-way and 3-way ball valves are designed for 1/4 and 1/2 turn media shutoff or switching applications up to 20,000 psi. Our trunion style ball design and spring loaded seats make the MPB series ideal for severe service applications. The end connector design enables a variety of end connections and combinations for specific customer applications.

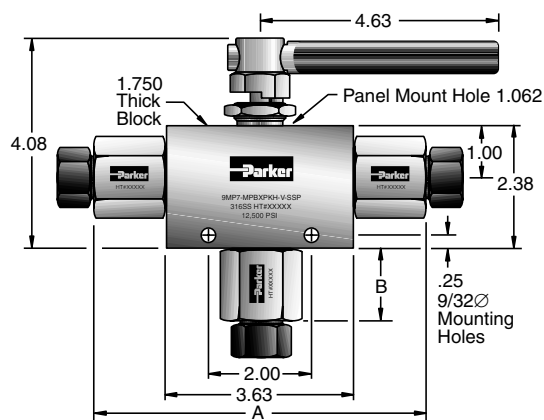
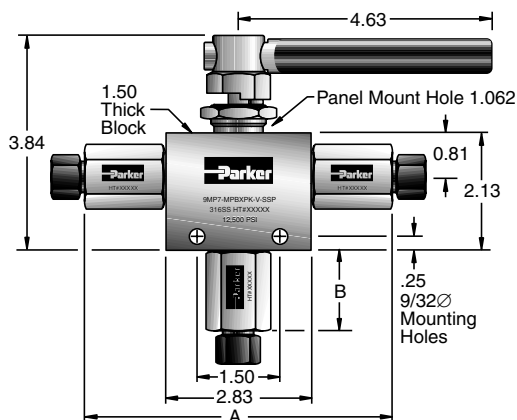
Two Way Ball Valves



TUBING	PARKER PART NO.	PSI	CONNECTION	INCHES			
				ORIFICE	MINIMUM ORIFICE	C _v	A
1/8" O.D.	2F-MPBLPK-V-SSP	15,000	1/8" NPT	0.187	0.187	1.45	4.63
1/4" O.D.	4F-MPBLPK-V-SSP	15,000	1/4" NPT	0.187	0.187	1.45	4.63
1/4" O.D.	4MP7-MPBLPK-V-SSP	15,000	1/4" MPI	0.187	0.125	0.45	5.00
3/8" O.D.	6F-MPBLPK-V-SSP	15,000	3/8" NPT	0.187	0.187	1.45	4.65
3/8" O.D.	6MP7-MPBLPK-V-SSP	15,000	3/8" MPI	0.187	0.187	1.45	5.00
1/2" O.D.	8MP7-MPBLPK-V-SSP	15,000	1/2" MPI	0.187	0.187	1.45	5.50
9/16" O.D.	9MP7-MPBLPK-V-SSP	15,000	9/16" MPI	0.187	0.187	1.45	5.50
1/2" O.D.	8F-MPBLPKH-V-SSP	15,000	1/2" NPT	0.375	0.375	6.08	5.63
1/2" O.D.	8MP7-MPBLPKH-V-SSP	15,000	1/2" MPI	0.375	0.359	5.82	6.44
9/16" O.D.	9MP7-MPBLPKH-V-SSP	15,000	9/16" MPI	0.375	0.359	5.82	6.44
3/4" O.D.	12MP7-MPBLPKH-V-SSP	15,000	3/4" MPI	0.375	0.375	6.08	6.67
1" O.D.	16MP7-MPBLPKH-V-SSP	12,500	1" MPI	0.375	0.375	6.08	7.45
3/4" O.D.	12 MP7-MPBLPKUH-V-SSP	10,000	3/4" MPI	0.500	0.469	7.60	6.86
1" O.D.	16MP7-MPBLPKUH-V-SSP	10,000	1" MPI	0.500	0.500	8.80	8.48



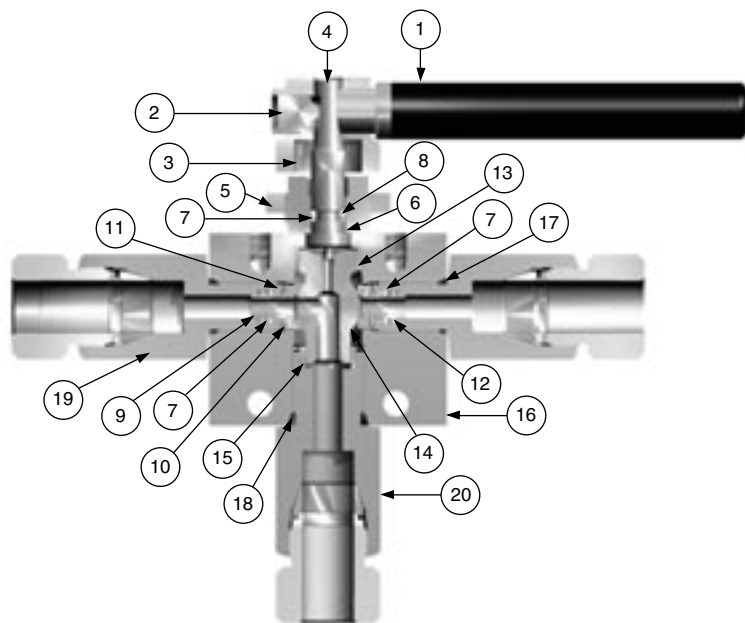
Three Way Ball Valves



TUBING	3-WAY 90 DEGREES	3-WAY 180 DEGREES	PSI	CONNECTION	INCHES				
					ORIFICE	MINIMUM ORIFICE	C _v	A	B
1/8" O.D.	2F-MPBXPKD-V-SSP	2F-MPBXPK-V-SSP	15,000	1/8" NPT	0.187	0.187	0.71	4.63	0.50
1/4" O.D.	4F-MPBXPKD-V-SSP	4F-MPBXPK-V-SSP	15,000	1/4" NPT	0.187	0.187	0.71	4.63	1.06
1/4" O.D.	4MP7-MPBXPKD-V-SSP	4MP7-MPBXPK-V-SSP	15,000	4MP7	0.187	0.125	0.18	5.00	1.18
3/8" O.D.	6F-MPBXPKD-V-SSP	6F-MPBXPK-V-SSP	15,000	3/8" NPT	0.187	0.187	0.71	4.65	1.06
3/8" O.D.	6MP7-MPBXPKD-V-SSP	6MP7-MPBXPK-V-SSP	15,000	6MP7	0.187	0.187	0.71	5.00	1.18
1/2" O.D.	8MP7-MPBXPKD-V-SSP	8MP7-MPBXPK-V-SSP	15,000	8MP7	0.187	0.187	0.71	5.50	1.44
9/16" O.D.	9MP7-MPBXPKD-V-SSP	9MP7-MPBXPK-V-SSP	15,000	9MP7	0.187	0.187	0.71	5.50	1.44
1/2" O.D.	8F-MPBXPKDH-V-SSP	8F-MPBXPKH-V-SSP	15,000	1/2" NPT	0.375	0.375	2.40	5.63	1.06
1/2" O.D.	8MP7-MPBXPKDH-V-SSP	8MP7-MPBXPKH-V-SSP	15,000	8MP7	0.375	0.359	2.30	6.44	1.37
9/16" O.D.	9MP7-MPBXPKDH-V-SSP	9MP7-MPBXPKH-V-SSP	15,000	9MP7	0.375	0.359	2.30	6.44	1.37
3/4" O.D.	12MF-MPBXPKDH-V-SSP	12MF-MPBXPKH-V-SSP	15,000	12MF	0.375	0.375	2.40	6.67	1.18
1" O.D.	16MF-MPBXPKDH-V-SSP	16MF-MPBXPKH-V-SSP	15,000	16MF	0.375	0.375	2.40	7.45	1.99
3/4" O.D.	12MP7-MPBXPKDUH-V-SSP	12MP7-MPBXPKUH-V-SSP	10,000	3/4" MPI	0.500	0.469	3.20	6.86	1.37
1" O.D.	16MP7-MPBXPKDUH-V-SSP	16MP7-MPBXPKUH-V-SSP	10,000	1" MPI	0.500	0.500	3.80	8.48	2.18

Locking Devices – Add suffix “-LD” to the end of the part number.

Example: 9MP7-MPBLPKH-V-SS-LD



Materials of Construction

Item #	Description	Material
1	Handle	300 SER. SS
2	Set Screw	17-4PH-H900
3	Stop Collar, 180 Degree	300 SER. SS
4	Stem	17-4PH-H900
5	Panel Nut	300 SER. SS
6	Bearing Washer	Peek/30% Glass
7	O-ring	Fluorocarbon Rubber
8	Back Up Ring	PTFE
9	Ball Seat Assembly	316SS/Arlon
10	Belleville Washer	302SS
11	Packing Washer	316SS
12	Back Up Washer	PTFE
13	Body Bushing	Ampco 45
14	Trunion, 180 Degree	316SS
15	Bottom Bushing	Ampco 45
16	Body	316SS
17	O-ring	Fluorocarbon Rubber
18	O-ring	Fluorocarbon Rubber
19	Seat Gland	316SS
20	Bottom Gland	316SS