

16 Series

High Flow, Packless Diaphragm Valve



Parker Hannifin Corporation's Veriflo Division presents the 16 Series diaphragm valve. The 16 series valves provide a high-flow, positive shut off for high purity gas/fluid systems. This 1/2" and 3/8" spring type diaphragm valve offers superior leak integrity for Manually and Pneumatically Actuated applications with pressure ranges from vacuum to 3000 psig.



features

- ▶ Forged body design.
- ▶ Packless diaphragm seal design for high purity.
- ▶ Positive, consistent shutoff with minimum force.
- ▶ Available in a variety of end connections.
- ▶ Optional angle patterns available upon request.
- ▶ Optional panel mounting available upon request.
- ▶ Optional CGA connections available as the inlet or outlet, upon request.
- ▶ Pneumatic actuation available upon request.

Catalog: 4515
LitPN: 25000177
Revision: 0 • 4/03



▶ materials of construction

Wetted

Body 316L Stainless Steel, Brass
Lower stem 316L Stainless Steel, Brass
Stem tip PCTFE, Vespel®
Spring 316L Stainless Steel
Spring Support 316L Stainless Steel, Brass
Spring Retainer 316L Stainless Steel, Brass
Diaphragm assembly Elgiloy®

Non-Wetted

Upper stem Nitronic-60®
Button Nitronic-60®
Bonnet 303 Stainless Steel
Handle Aluminum

▶ operating conditions

Operating pressure Vacuum to 3,000 psig
(206 barg)

Temperature

PCTFE seat -65°F to +150°F (-53°C to +65°C)
Vespel® seat . . . -65°F to +250°F (-53°C to +121°C)

▶ functional performance

Flow capacity:

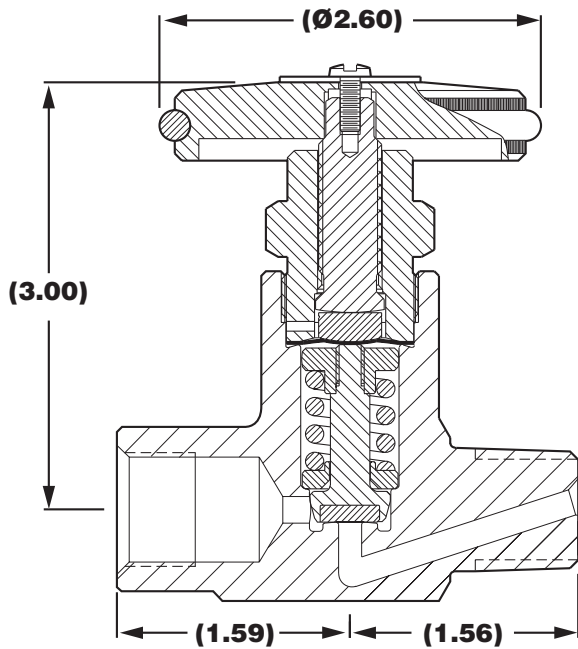
Inline pattern $C_v = .30$
Angle pattern $C_v = .35$

▶ standard configurations

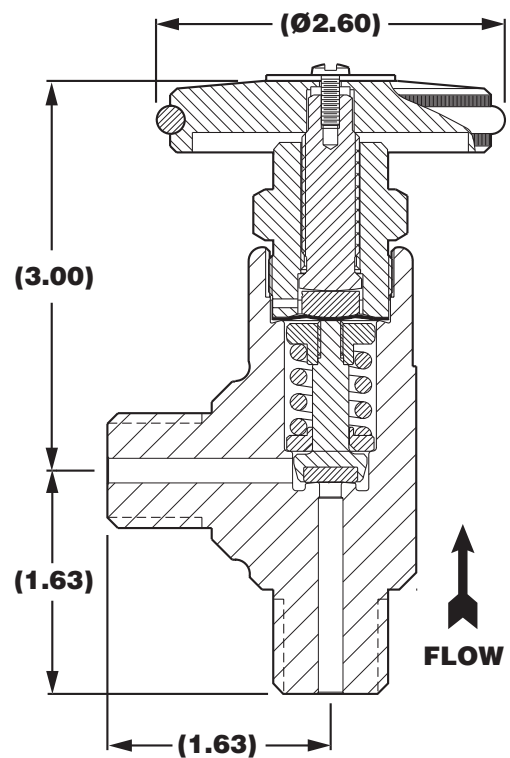
NPT male and female, tube weld, male and female facesal fitting.

16 Series

Cross Sectional Drawing



16-881MF



16-881MMA

Ordering Information

